

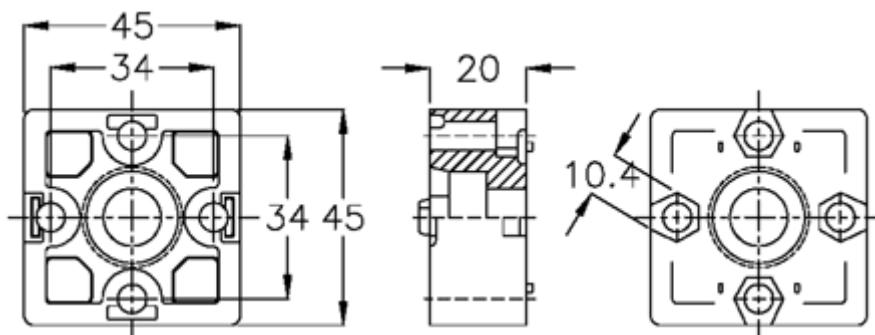
# Data Sheet



Article number: 0581424547

Description: Hepco MCS 1-242-4547  
End Connector Set 45x45

## Measures



Size = 45x45

Weight (kg) = 0.220